



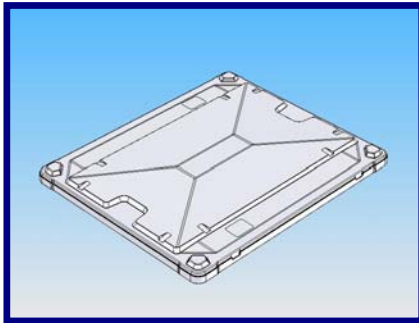
December 2005

Dear Colleague,

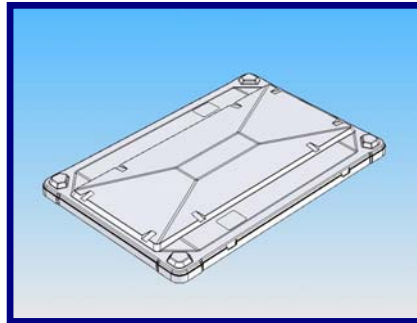
**DOLAV** is pleased to announce that after a long R & D process, optimization and tests, the new **plastic injected lids** are ready for you!

**New**

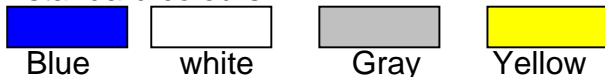
### Lid type 1000



### Lid type 800



- The new lids are made by our injection machines.
- The lids are UV, chemical and corrosion resistant.
- The box pallets covered by the lids are very easy to stack.
- Option to add customer logo to the lid
- The design of the new injected lid ensures long life span.
- The lids are offered in a variety of standard colours :



• More colours are available for orders of more than 1000 units.



#### Technical Data

	<b>Type 1000</b>	<b>Type 800</b>
External dimensions (mm)	1230L x 1040W x 80H	1225L x 825W x 80H
Tare Weight (Kg)	6 Kg	4.8 Kg
Thickness	3.5mm	3.5mm
Material	HDPE	HDPE
Temperature	-40°C to +60°C	-40°C to +60°C

**For more information, please contact us**

Yours sincerely  
Marketing Department



**MARKETING NEWS**

