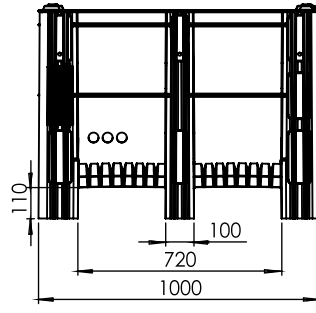
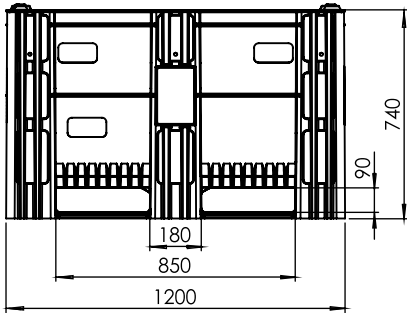


DOLAV Ace Box Pallet



Designed for heavy duty use

- Low lifetime cost
- Three integral runners – safer tipping with forklifts
- One-piece moulding including runners with no secondary components to pull out
- Manufactured in HDPE – easily repaired with hot-air welding
- Withstands abuse – TÜV SÜD tested



	SOLID /PERFORATED - 3-runners
External Dimensions (mm)	1200 x 1000 x 740
Internal Dimensions (mm)	1128x928x585
Volume (litre)	605
Material	HDPE
Temperature Range	-40°C to +60°C
Tare Weight (kg)	38.5
Max. Load (kg)	1200
Max. Stacking Load (kg)	5,000
Dolav Colours	Light grey, blue, red, yellow, green
Lids Available	Light grey, blue, red, yellow, green, white

Notes

- Due to deviations in the manufacturing process, tare weight may vary by $\pm 1.5\%$.
- Dimensions may vary by $\pm 1\%$.
- Data refers to temperature of 23°C
- Maximum stacking load refers to vertical loading when the load per single box pallet does not exceed 750 kg
- Maximum load refers to stand alone boxes.
- Also available with combination: solid walls and perforated base or perforated walls and solid base - for large quantities.
- Available with 9 foot - for this option please contact us. Technical data (max. load, stack load) is different for this version.



DOLAV UK LIMITED, Neaton Business Park, Norwich Road, Watton, Norfolk IP25 6JB
Office: 01953 889422 • Web: www.uk.dolav-news.com • www.dolav-uk.co.uk

DOLAV IRELAND, 2 Broadmeadows Road, Swords, Co. Dublin
Office: +353(0) 1 8402354 • Mob: +353(0) 87 2578321 • Web: www.dolav-ireland.ie

OFFICES: Belgium, China, Denmark, France, Germany, Holland, Ireland, Israel, Italy, Russia, Singapore, UK, USA

